

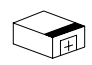
**OFF PAGE CONNECTORS**

SHEET X.Y SIGNAL SIGNAL DESTINATION


SHEET X.Y SIGNAL SIGNAL SOURCE

**PACKAGE CODES**

- \*J 0603 CHIP
- \*S200 0805 200V CHIP CAP
- \*S1 0805 1% CHIP RES
- \*S 0805 CHIP
- \*T 1206 CHIP
- \*U 1210 CHIP INDUCTOR



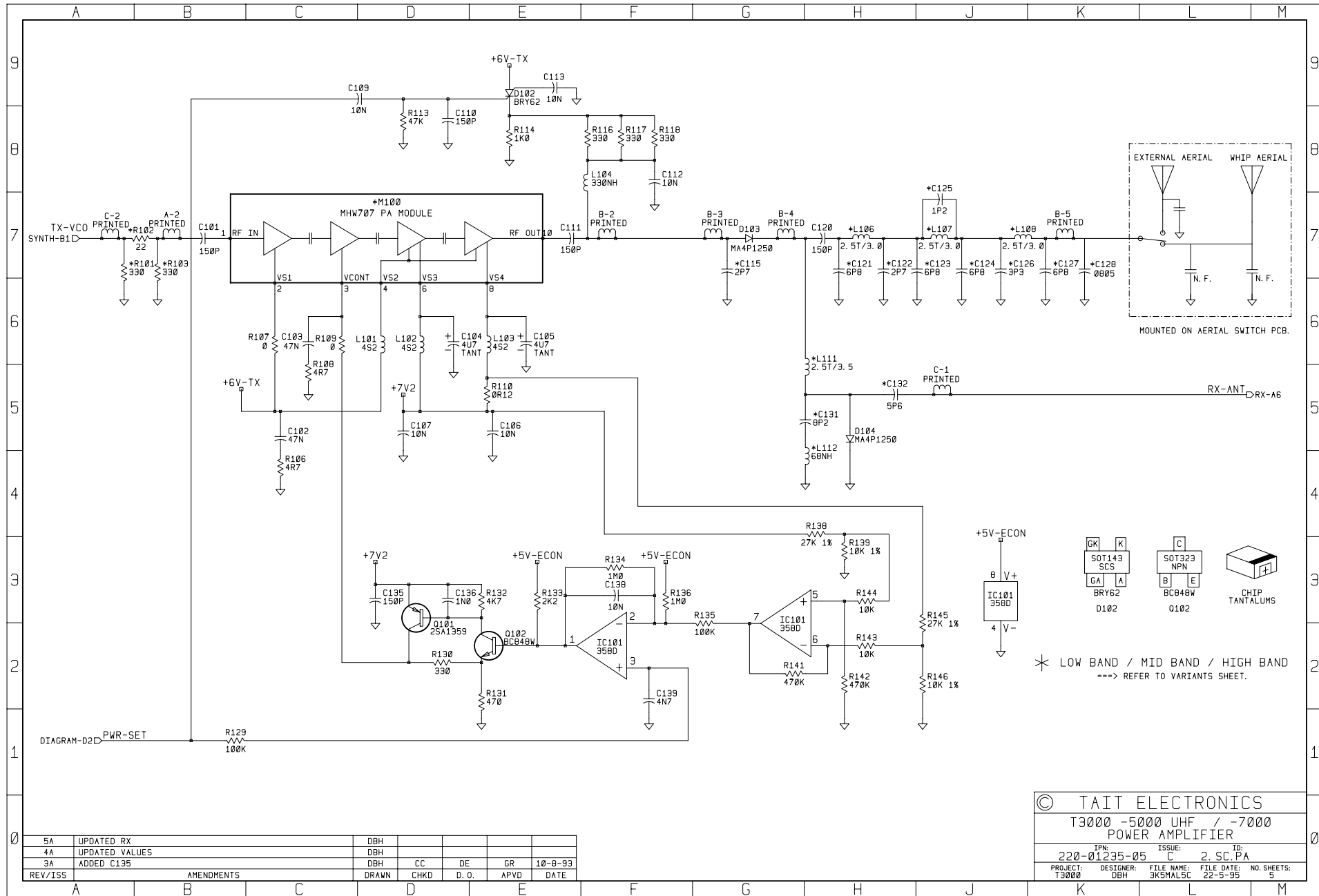
CHIP TANTALUMS

 SK-FLEXI  
22WAY TOP ENTRY FLEXI BRD SKT

© TAIT ELECTRONICS			
T3000 -5000 UHF / -7000 INTERCONNECTION DIAGRAM			
IPN:	ISSUE:	ID:	
220-01235-05	C	2. SC.DIAGRAM	
PROJECT: T3000	DESIGNER: DBH	FILE NAME: 3K5MAL5C	FILE DATE: 22-5-95
		NO. SHEETS: 5	

5A	UP ISSUED		DBH					
REV/ISS	AMENDMENTS		DRAWN	CHKD	D. O.	APVD	DATE	





\* LOW BAND / MID BAND / HIGH BAND  
 ==> REFER TO VARIANTS SHEET.

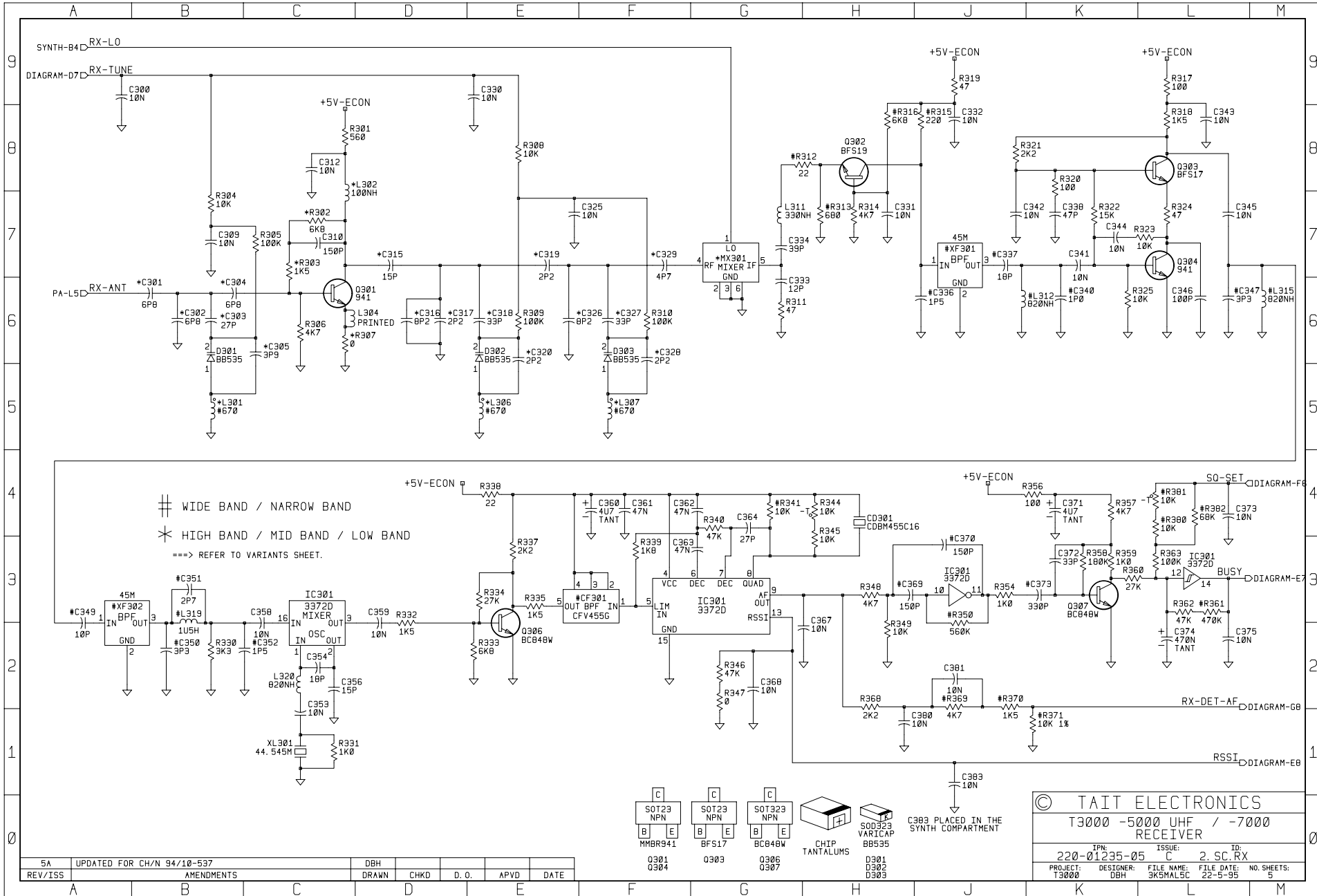
SOT143 SCS BRY62  
 SOT323 NPN BC848W 0102  
 CHIP TANTALUMS

© TAIT ELECTRONICS  
 T3000 -5000 UHF / -7000  
 POWER AMPLIFIER

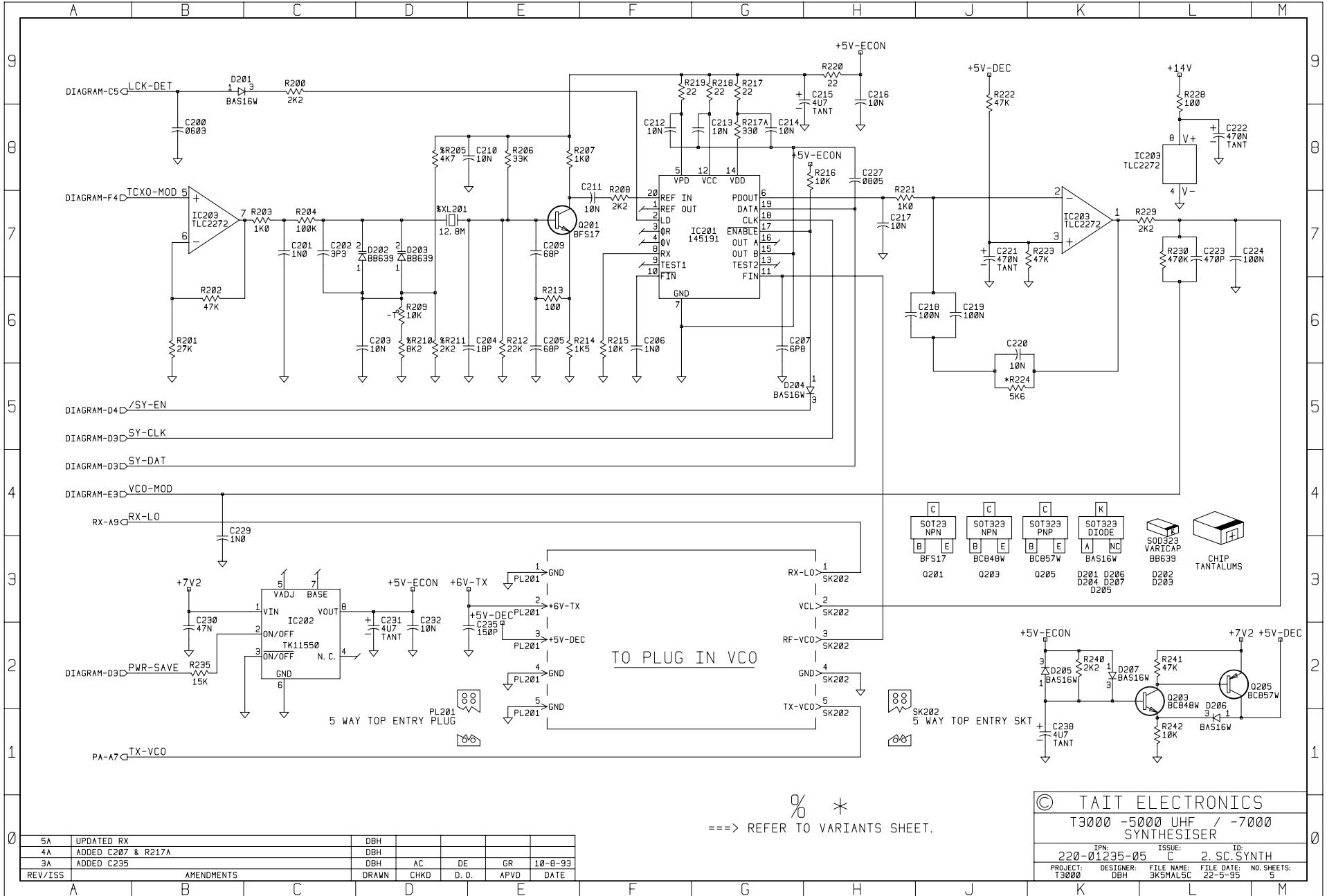
IPN: 220-01235-05 C 2 SC PA  
 PROJECT: T3000 DESIGNER: DBH FILE NAME: 3K5MAL5C FILE DATE: 22-5-95 NO. SHEETS: 5

5A	UPDATED RX	DBH				
4A	UPDATED VALUES	DBH				
3A	ADDED C.135	DBH	CC	DE	GR	10-8-93
REV/ISS	AMENDMENTS	DRAWN	CHKD	D. O.	APVD	DATE









- C SOT23 NPN B FS17 0201
- C SOT323 NPN B BC848W 0203
- C SOT323 PNP B BC857W 0205
- K SOT323 DIODE A BAS16W 0201 0206 0204 0207 0205
- S00523 VARICAP B BB639 0202 0203
- CHIP TANTALUMS

TO PLUG IN VCO

==> REFER TO VARIANTS SHEET.

© TAIT ELECTRONICS  
 T3000 -5000 UHF / -7000 SYNTHESISER  
 TPN: 220-01235-05 ISSUE: C 2. SC SYNTH ID:  
 PROJECT: T3000 DESIGNER: DBH FILE NAME: 3K5MAL5C FILE DATE: 22-5-95 NO. SHEETS: 5

5A	UPDATED RX	DBH				
4A	ADDED C207 & R217A	DBH				
3A	ADDED C235	DBH	AC	DE	GR	10-8-93
REV/ISS	AMENDMENTS	DRAWN	CHKD	D. O.	APVD	DATE

